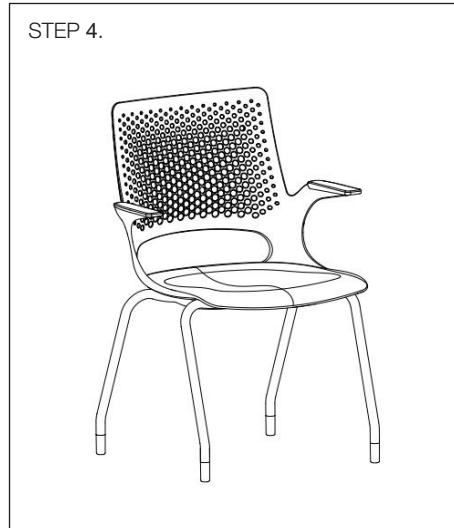
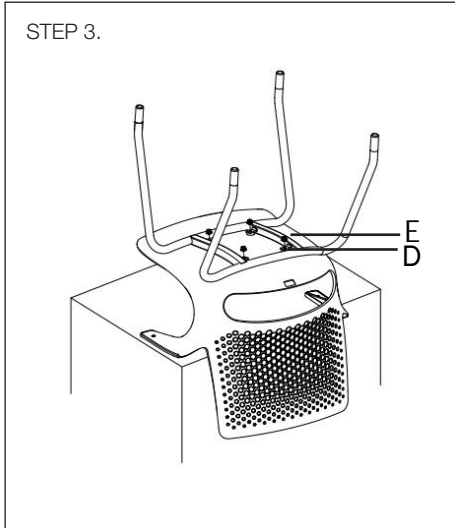
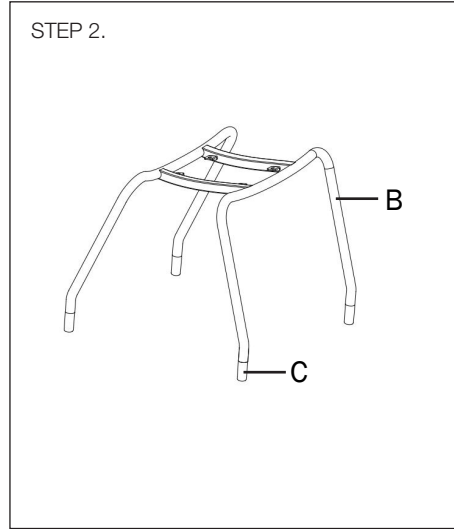
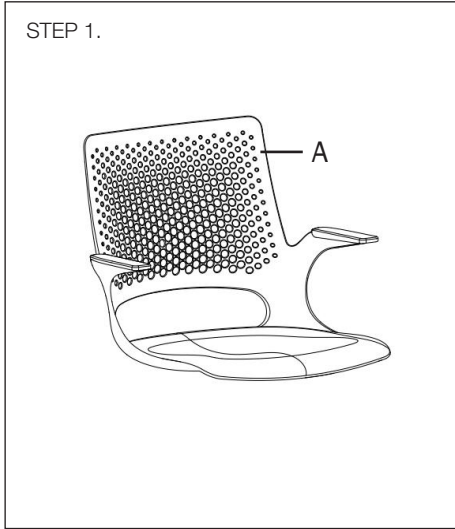


Care & Maintenance Instructions

Konfurb Harmony Guest Chair

Remove all items from the carton. Verify all pieces before assembly.



Part List

key	qty	description
A	1	Back & Seat Shell
B	1	Metal Frame
C*	4	Plugs
D	8	Washers
E	4	Screws

* Pre-assembled

Care & Maintenance

General Care

Warning: Do not use solvents such as acetone, contact cleaners, thinners or Methyl Ethyl Ketone (MEK) to clean Polypropylene, Powder coated or Stainless Steel surfaces. These solvents will soften and/or dissolve the Powder coat, Polypropylene & Stainless Steel surface, diminishing its shine and durability or removing the finish altogether.

To maintain the appearance of this product wipe surfaces with a clean, non-abrasive cloth dampened with a mild detergent solution or extra soft bristle brush. Treat spills and stains as soon as possible. Do not remove any parts for separate cleaning. Do not shampoo clean or with hot water extraction machine. Do not clean with on-site dry cleaning machine.

Upholstery & Foam Specs*

Foam

Flame Resistant: Ca117 Section A Part I & Section D Part II

Upholstery

Flame Resistance: Ca117 Section E Class I

*This applies only to standard Konfurb stock. Any customer specified upholstery may not meet these specifications.

Preventative Maintenance & Warning!

- Use this product only for seating one person at a time.
- Do not use this chair as a step ladder.
- Do not sit on any part of the chair except the seat.
- Do not use this chair on uneven floor surfaces.
- Do not use chair unless all bolts, screws and knobs are tight. At least every six months check all bolts, screws and knobs to ensure they are tight.
- If any parts are missing, broken, damaged or worn do not use the product until repairs are made using factory authorised parts.
- Dispose of packaging properly.
- Plastic bag packaging is not a toy, do not use plastic bag as a head covering as it may cause suffocation.
- Failure to follow these warnings could result in serious injury.