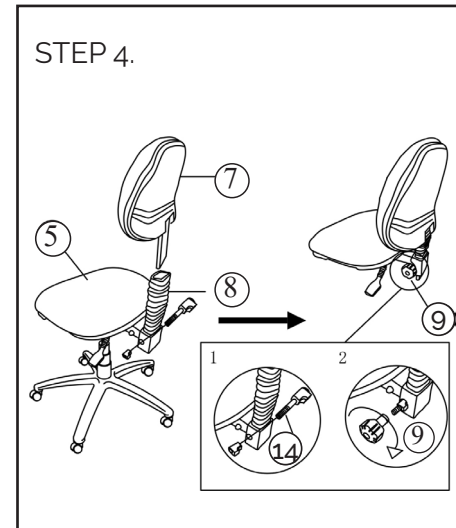
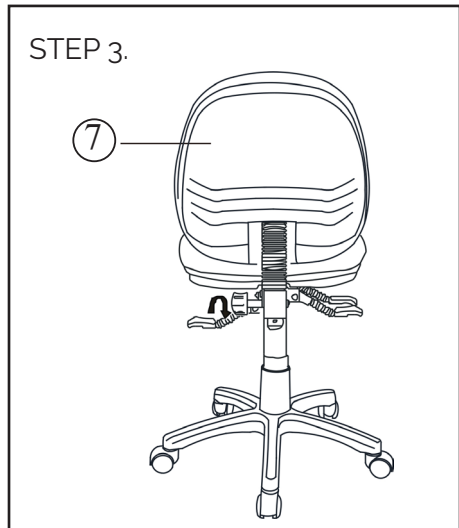
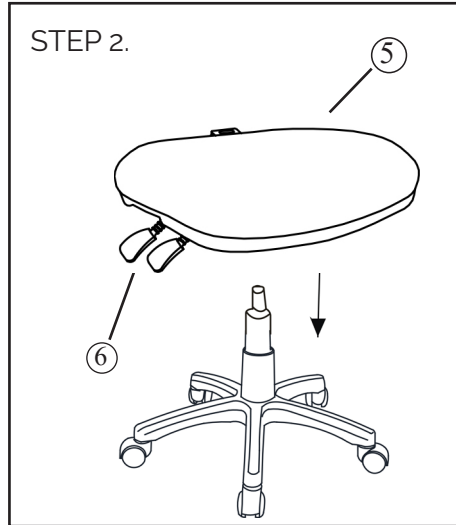
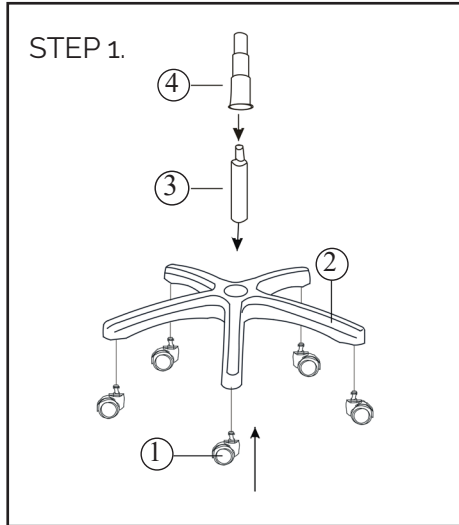


Assembly, Operating & Maintenance Instructions

mondo

Attention: Please remove all items from the carton, and verify all pieces before assembly.

MONDO JAVA MID/HIGH BACK 3 LEVER CHAIR



MECHANISM OPERATING INSTRUCTIONS

NOTE: Do not operate the mechanism levers unless properly seated in the chair.

A. Seat height adjustment
B. Back angle adjustment
C. Seat angle adjustment
D. Back height adjustment

ARMS:

* Arm assembly instructions are for Java Mid Back chairs purchased with arms only.

Parts List

KEY	QTY	DESCRIPTION
1	5	Castors
2	1	Chair Base
3	1	Gas Lift
4	1	Gas Lift bellows
5	1	Seat
6	1	Seat Mechanism
7	1	Back Cushion
8	1	Back Bar Cover
9	1	Adjustment Knob
10*	1	Long Arm Screws
11*	1	Allen Wrench
12*	2	Short Arms Screws
13*	2	Arms
14	1	Tension Pin

* Optional Arm hardware only for Java chairs purchased with arms.

Upholstery & Foam Specs*

FABRIC/MESH UPHOLSTERY CARE

- Wipe with a clean cloth dampened with a mild upholstery detergent solution.
- A soft bristle brush may be used to remove ingrained soil.
- Spot clean as above.
- Treat spills and stains as soon as possible.
- Persistent stains may require treatment by a professional cleaner.
- May be cleaned with dry powder cleaners.
- Allow to dry thoroughly before reuse.

GENERAL CARE

- To maintain the appearance of non-upholstered parts wipe the surface with a clean cloth dampened with a mild detergent solution.
- Do not remove any parts for separate cleaning.
- Do not saturate the fabric or interior with water or other cleaning liquids.
- Do not shampoo clean.
- Do not clean with hot water extraction machine.
- Do not clean with onsite drycleaning machine.
- Protect from direct sunlight, heat and weather.

Upholstery & Foam Specs*

FOAM

Flame Resistant: Ca117 Section A Part I & Section D Part II

UPHOLSTERY: FABRIC

Flame Resistance: Ca117 Section E Class I

*This applies only to standard Mondo stock. Any customer specified upholstery may not meet these specifications.

Preventative Maintenance & Warning!

- Use this product only for seating one person at a time.
- Do not use this chair as a step stool/ladder.
- Do not sit on any part of the chair except the seat.
- Do not use this chair on uneven floor surfaces.
- Do not interfere with the operating of the gas lift.
- Do not use chair unless all bolts, screws and knobs are tight.
- At least every six months check all bolts, screws and knobs to ensure they are tight.
- If any parts are missing, broken, damaged or worn do not use the product until repairs are made using factory authorised parts.
- Dispose of packaging properly.
- Plastic bag is not a toy.
- Do not use plastic bag as a head covering as it may cause suffocation.
- Failure to follow these warnings could result in serious injury.

Mondo by

buro
ergonomics at work*