

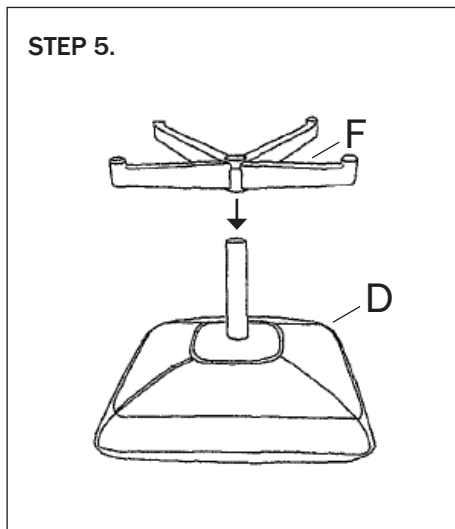
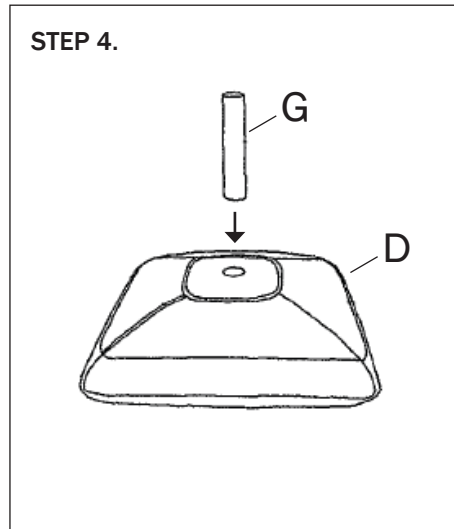
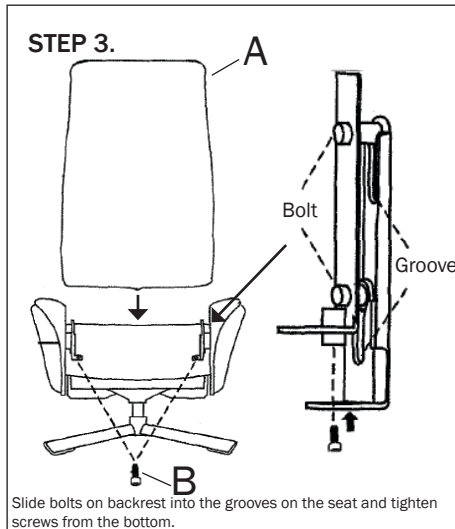
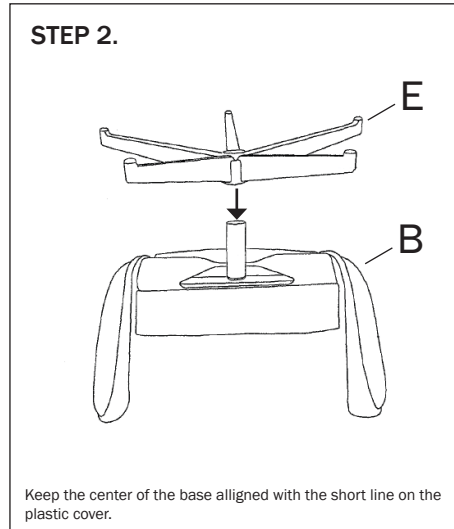
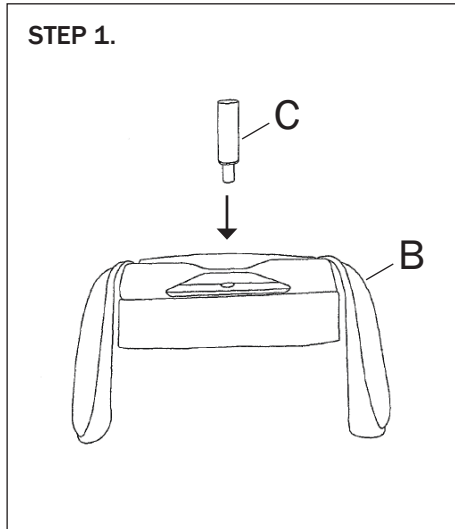
# Assembly, Operating & Maintenance Instructions

# buroseating

Remove all items from the carton. Verify all pieces before assembly.

## BURO MAYA RECLINER

## PART LIST



KEY	QTY	DESCRIPTION
A	1	Backrest
B	1	Seat
C	1	Gas Lift
D	1	Footrest
E	1	5 Star Base
F	1	4 Star Base
G	1	Pedestal Pole
H	2	Screws

## CARE & MAINTENANCE

### GENERAL CARE

- To maintain the appearance of non-upholstered parts wipe the surface with a clean cloth.
- Do not remove any parts for separate cleaning.
- Do not saturate the fabric or interior with water or other cleaning liquids.
- Do not shampoo clean.
- Do not clean with hot water extraction machine.
- Do not clean with onsite drycleaning machine.
- Protect from direct sunlight, heat and weather.

### UPHOLSTERY CARE FOR LEATHER

- Wipe with a clean dry cloth
- Every 2-3 months use leather cleaning agent or household vacuum cleaner for cleaning or dusting
- Use only leather care products suitable for top coated leather and strictly in accordance with the manufacturer's instructions
- Spot clean as above
- Treat spills and stains as soon as possible
- Persistent stains may require treatment by a professional cleaner
- Allow to dry thoroughly before reuse.

## UPHOLSTERY & FOAM SPECS\*

### FOAM

Flame Resistant: Ca117 Section A Part I & Section D Part II

### UPHOLSTERY: LEATHER

Flame Resistance: Ca117 Section E Class I

\*This applies only to standard Buro stock. Any customer specified upholstery may not meet these specifications.

## PREVENTATIVE MAINTENANCE & WARNING!

- Use this product only for seating one person at a time.
- Do not use this chair as a step stool/ladder.
- Do not sit on any part of the chair except the seat.
- Do not use this chair on uneven floor surfaces.
- Do not interfere with the operating of the gas lift.
- Do not use chair unless all bolts, screws and knobs are tight. At least every six months check all bolts, screws and knobs to ensure they are tight.
- If any parts are missing, broken, damaged or worn do not use the product until repairs are made using factory authorised parts.
- Dispose of packaging properly.
- Plastic bag is not a toy.
- Do not use plastic bag as a head covering as it may cause suffocation.
- Failure to follow these warnings could result in serious injury.